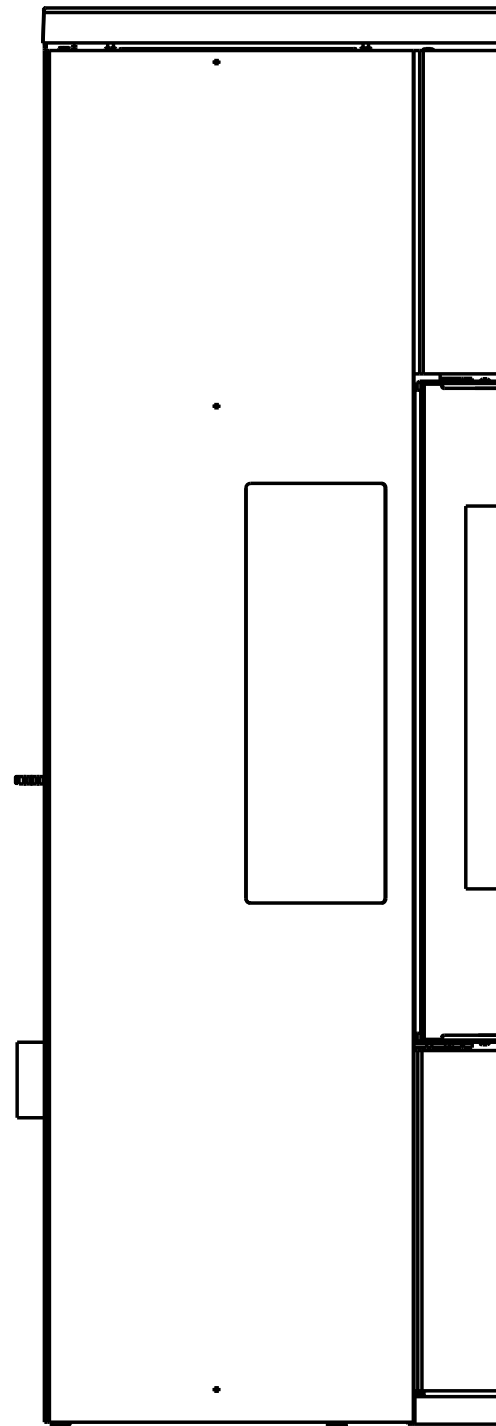
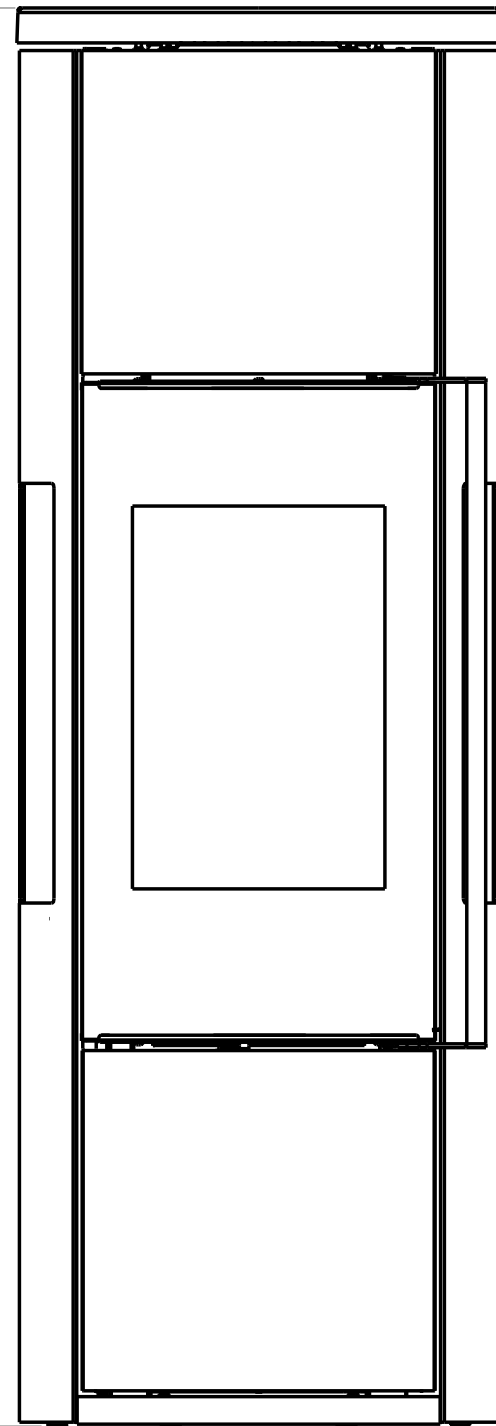


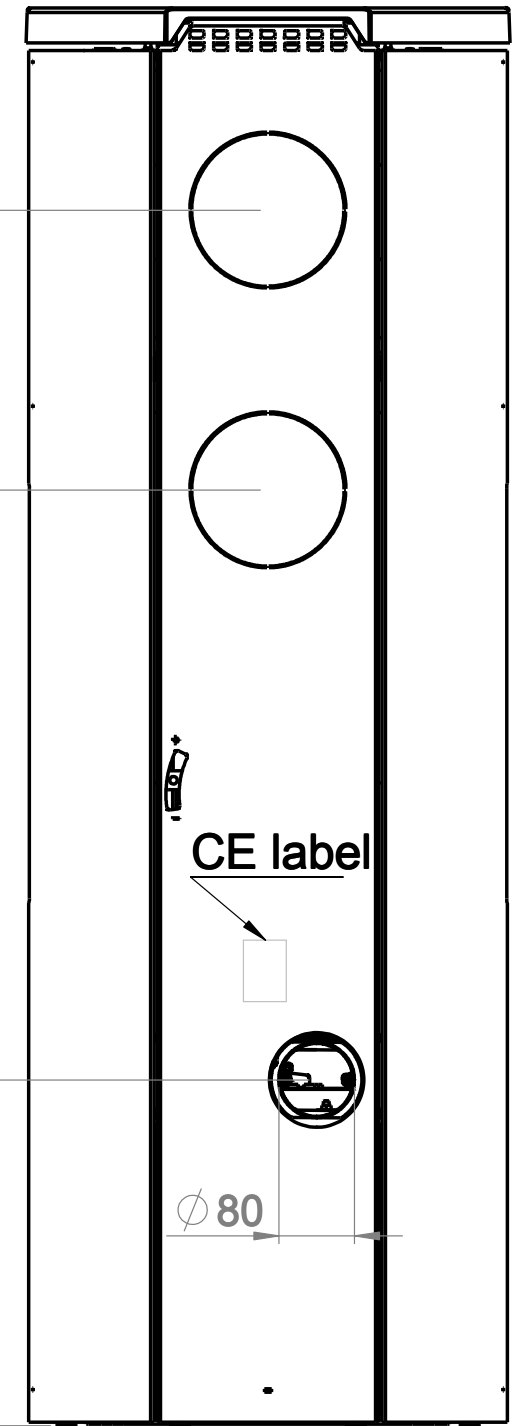
1500



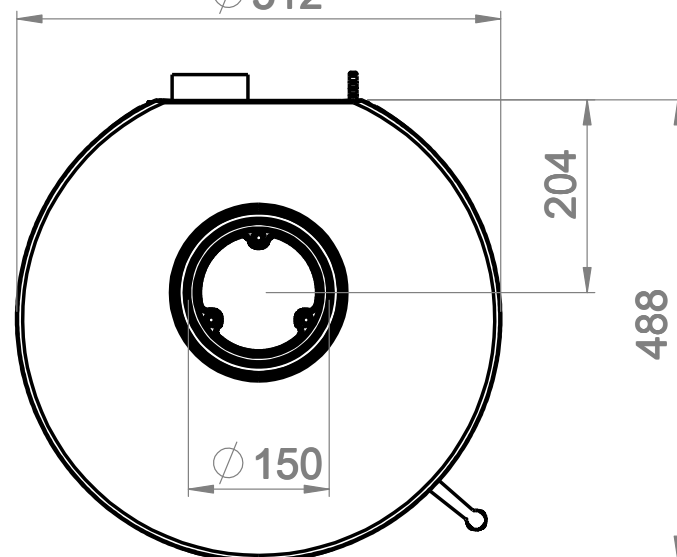
1286

990

366



Ø 512



204

488

Ø 150

Finish:	Model G15	Tolerance DIN ISO 2768	Surface roughness DIN ISO 1302	Scale: 1:8	Weight:
COLOR & FIRE	Designed by	Date	Name	Description:	
	Checked by		A.Galojlic	Model G15	
	Norm				
	Approved by			Part number:	A3
no.	Modification	Date	Name	Source	Replacement for:
				308-00-000 Handle of Opus - assembly	308-00-000
					Replacement with: